

THE  
EAGLES  
NEST

RIDGWAY  
COLORADO

| DATE    | FOR       |
|---------|-----------|
| 26FEB04 | SD1       |
| 20FEB04 | SD2       |
| 21FEB04 | SD3       |
| 28APR04 | PERMIT    |
| 30APR04 | FOR CONST |

DRAWING NAME:

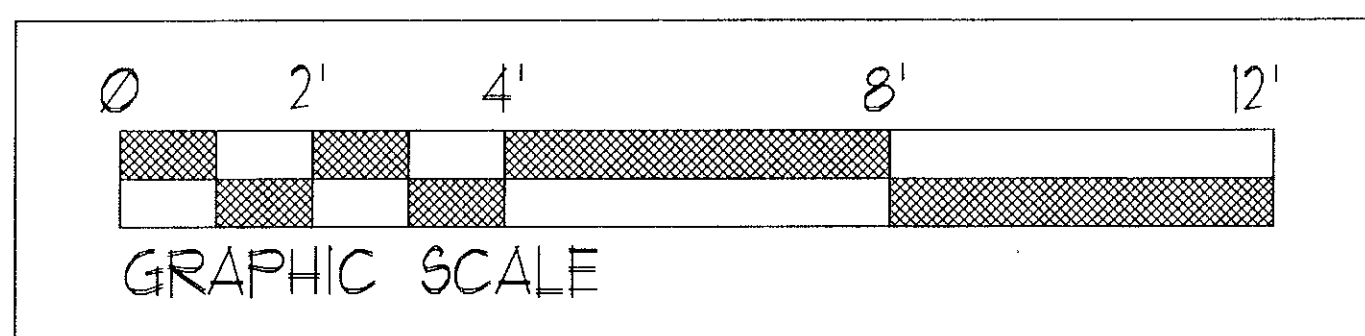
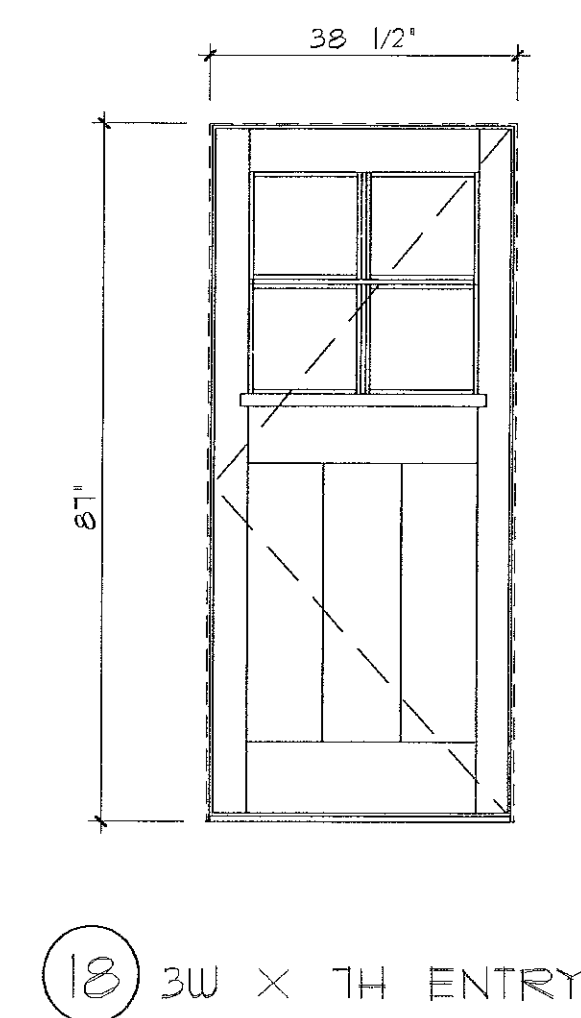
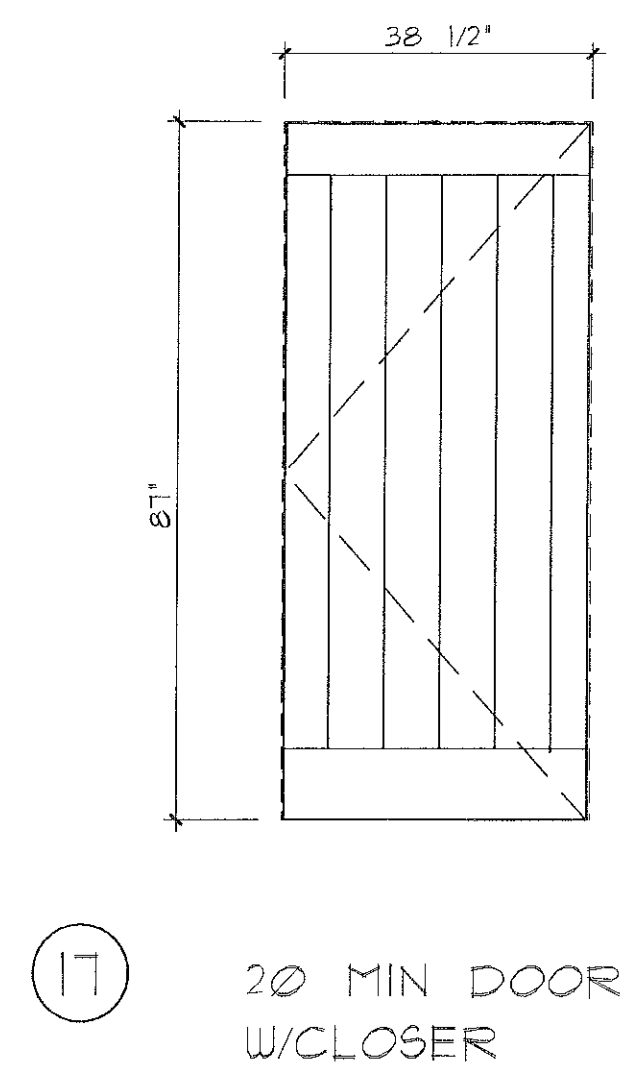
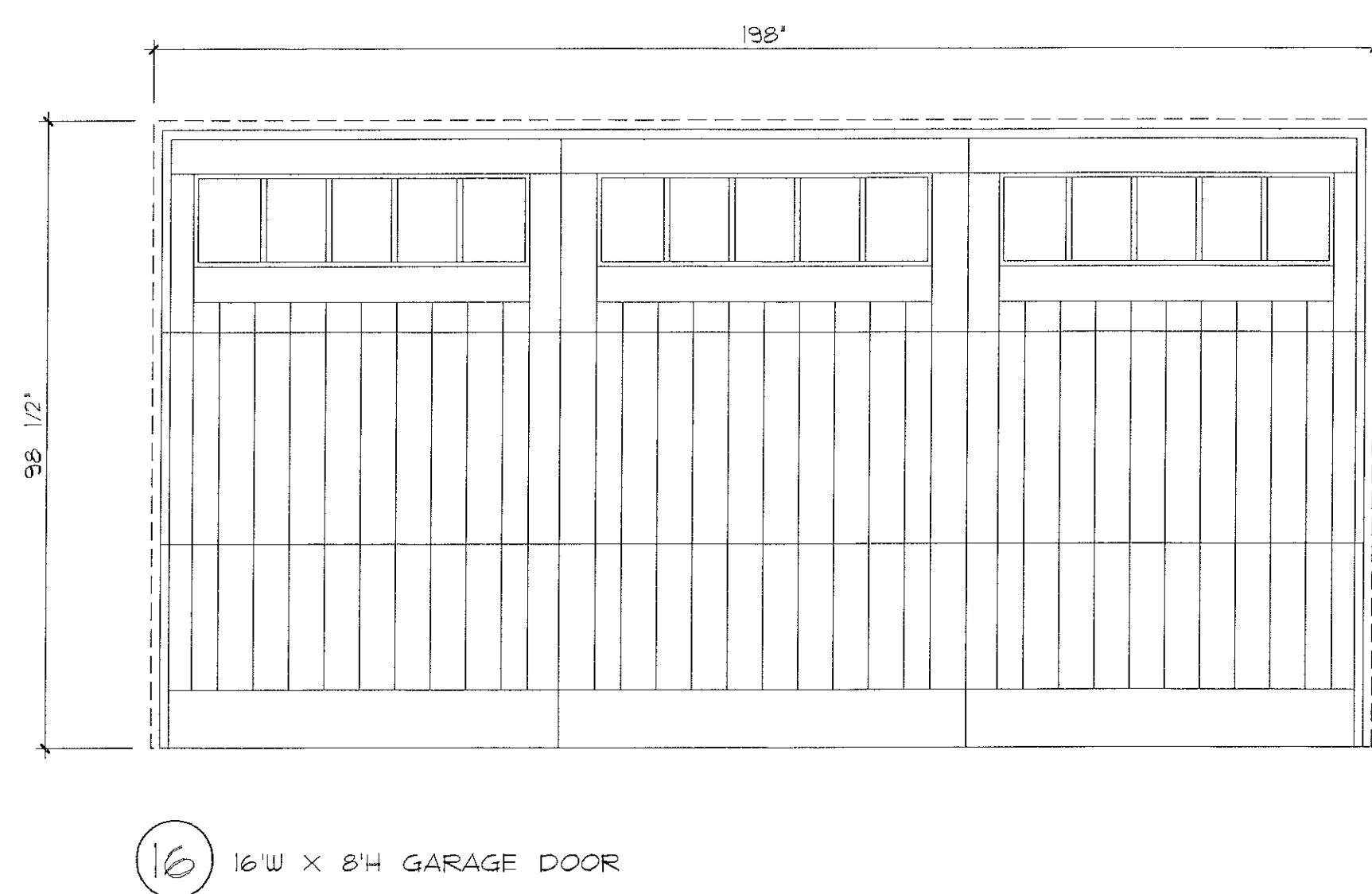
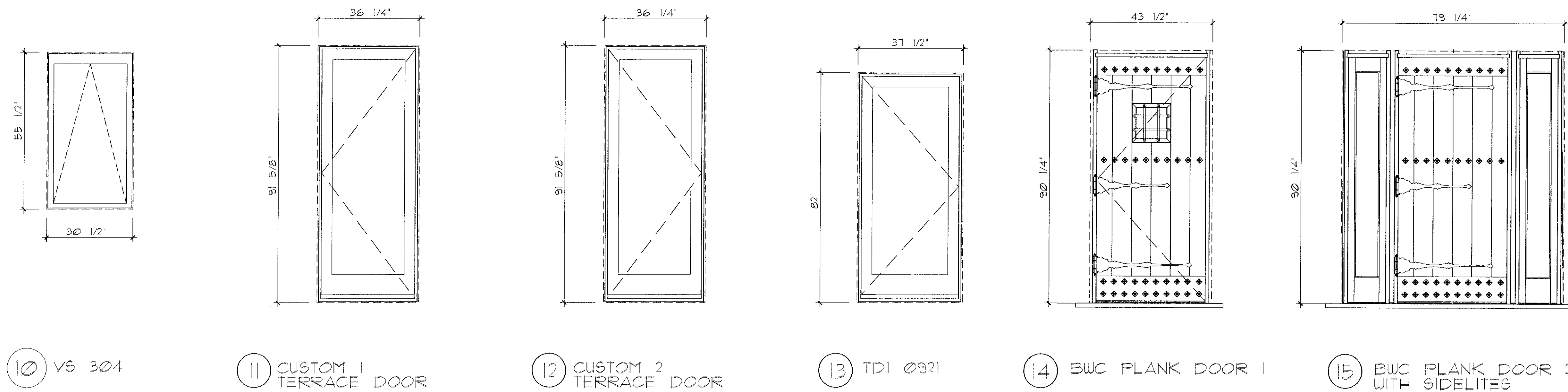
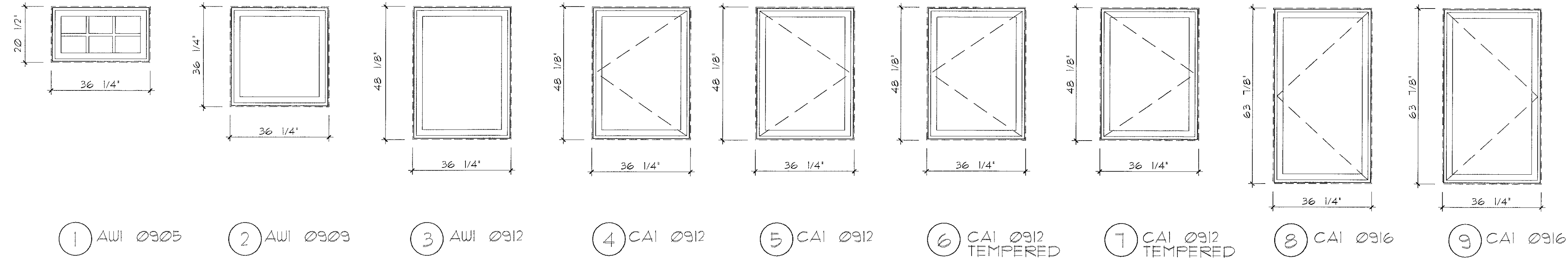
WINDOW &  
DOOR  
ELEVATIONS

STAMP:

DATE:

SCALE:  
1/2" = 1'-0"  
DESIGN TEAM:  
RSW/CA/AD

SHEET NUMBER:  
A-4.4



NOTE: DIMENSION ARE TO ROUGH OPENINGS