

THE  
**EAGLES  
 NEST**

RIDGWAY  
 COLORADO

DATE	FOR
08APR04	PERMIT
30APR04	FOR CONST.

DRAWING NAME:

**FIREPLACE  
 DETAILS**

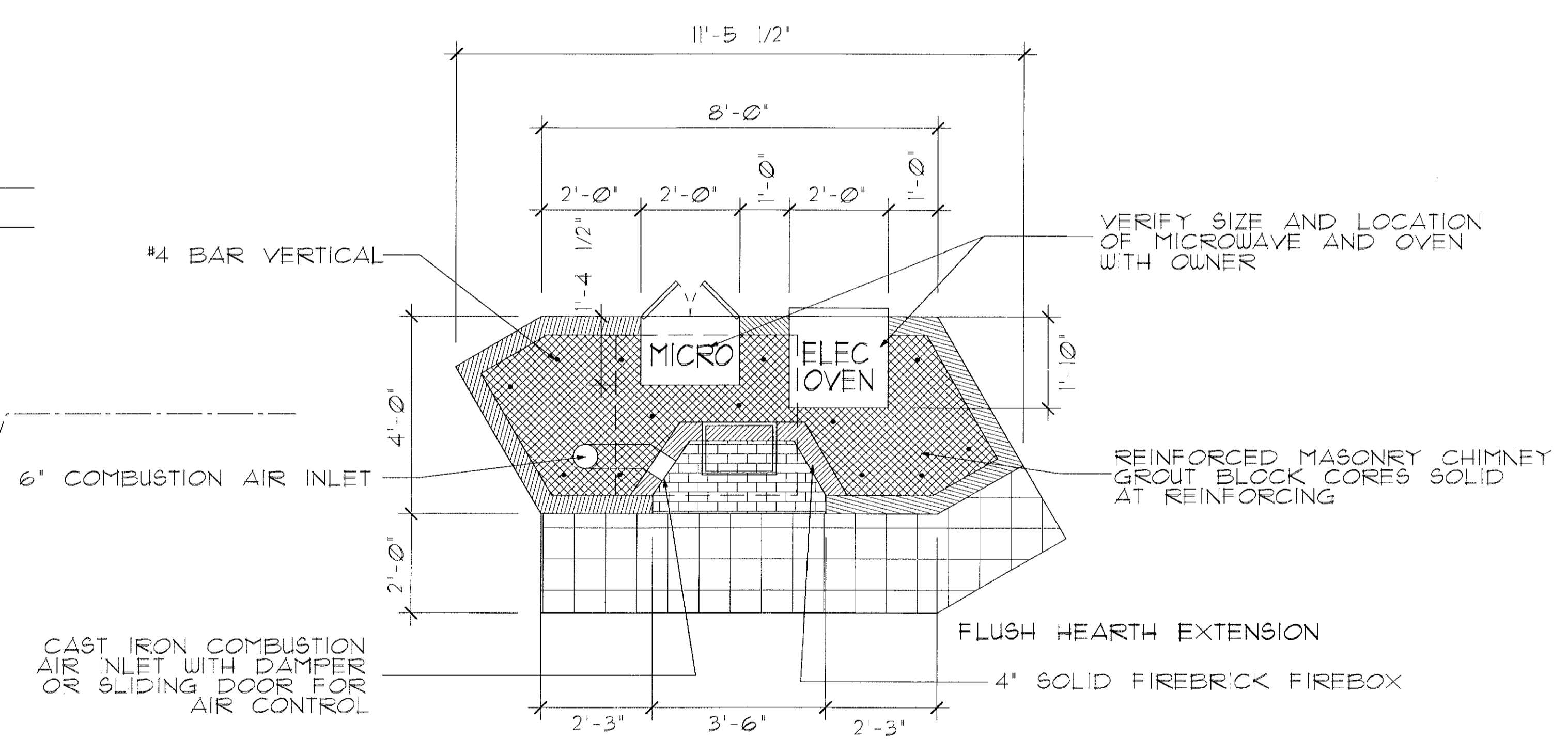
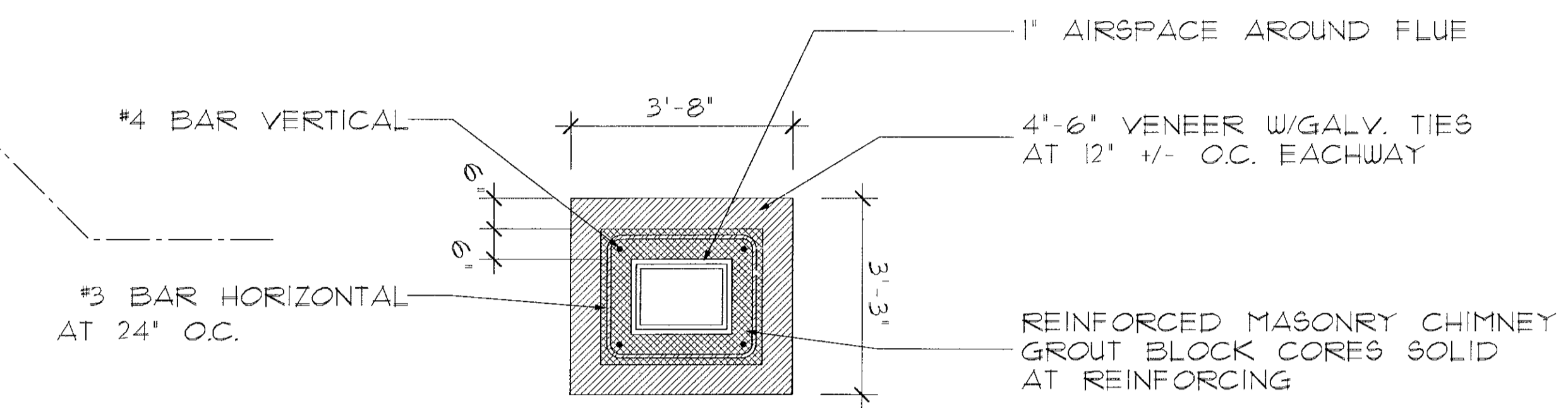
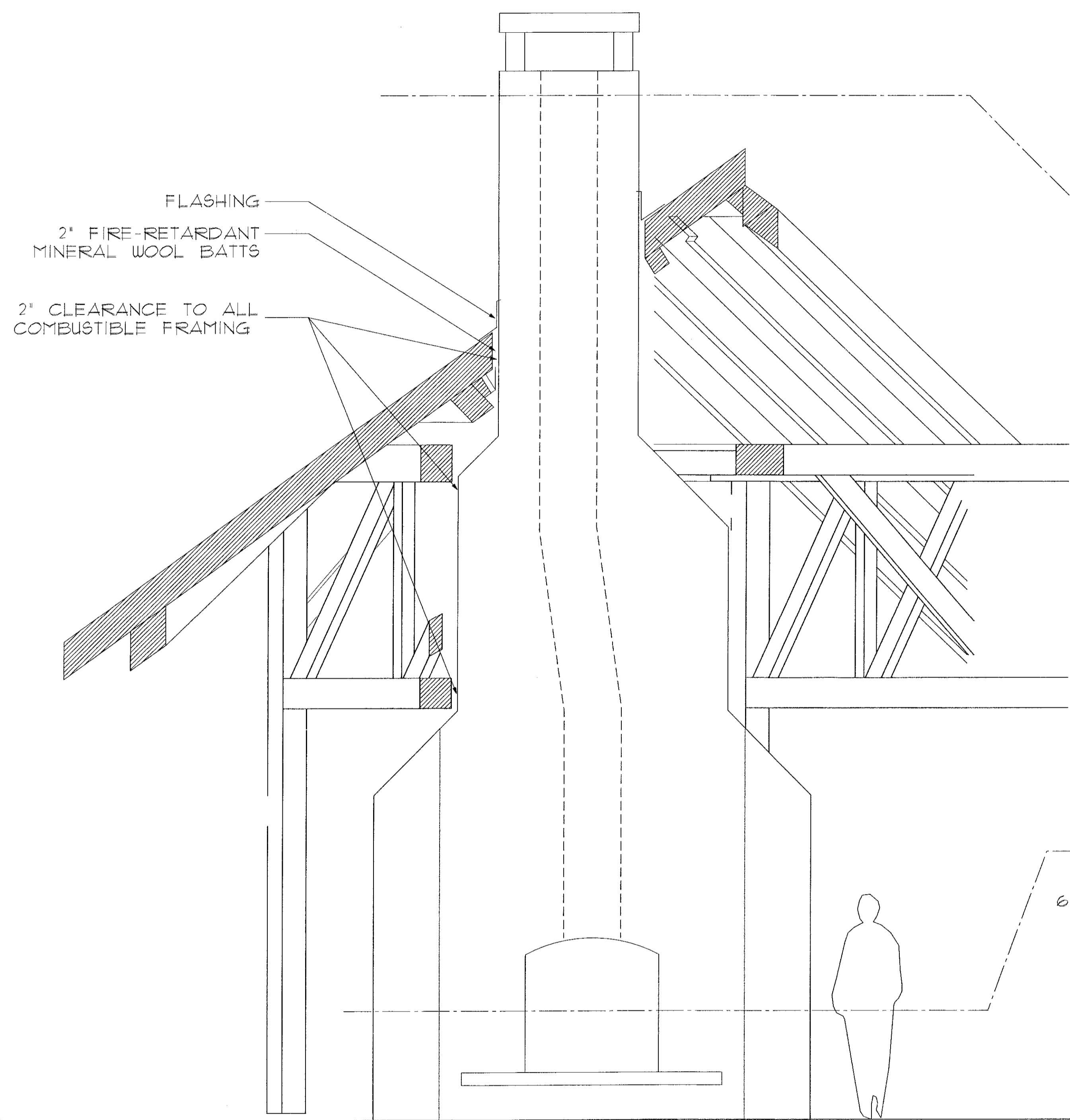
STAMP:

DATE:

SCALE:  
 AS NOTED  
 DESIGN TEAM:  
 RSW/CA/AD

SHEET NUMBER:

A-52



MODIFIED RUMFORD STYLE FIREPLACE  
 NO DAMPERS ALLOWED WHERE GAS IS USED -  
 - PER OURAY BUILDING CODE  
 HEARTH EXTENSION SHALL EXTEND AT LEAST 20'  
 IN FRONT AND AT LEAST 12" BEYOND EACH SIDE  
 OF THE FIREPLACE OPENING

SCALE = 1/2" = 1'-0"